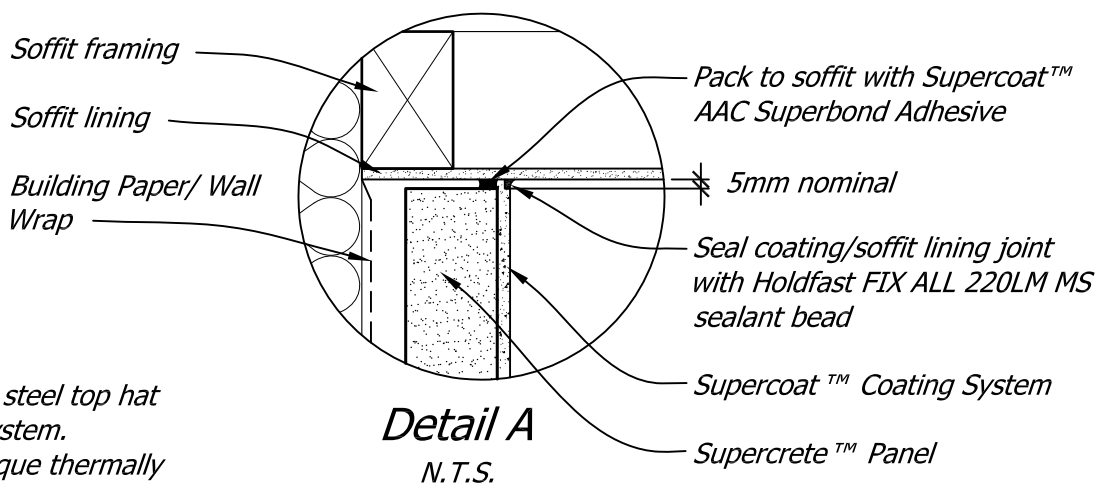


Supercrete 50 Panel to Eave/Soffit Junction



Steelock™ a unique steel top hat batten mounting system.
 Thermoseal™ a unique thermally efficient closed cavity cladding system.

Copyright © Superbuild International Ltd 2013

Supercrete™
PANEL CLADDING CONSTRUCTION

Title: Supercrete™ Panel to Typical Eave/Soffit Junction		
Date: February 2014		Detail No. SPC 5-1
This drawing must be read in conjunction with the Supercrete Panel Cladding System Design & Installation Guide		