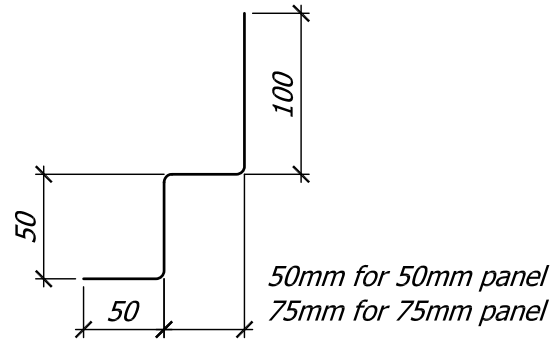
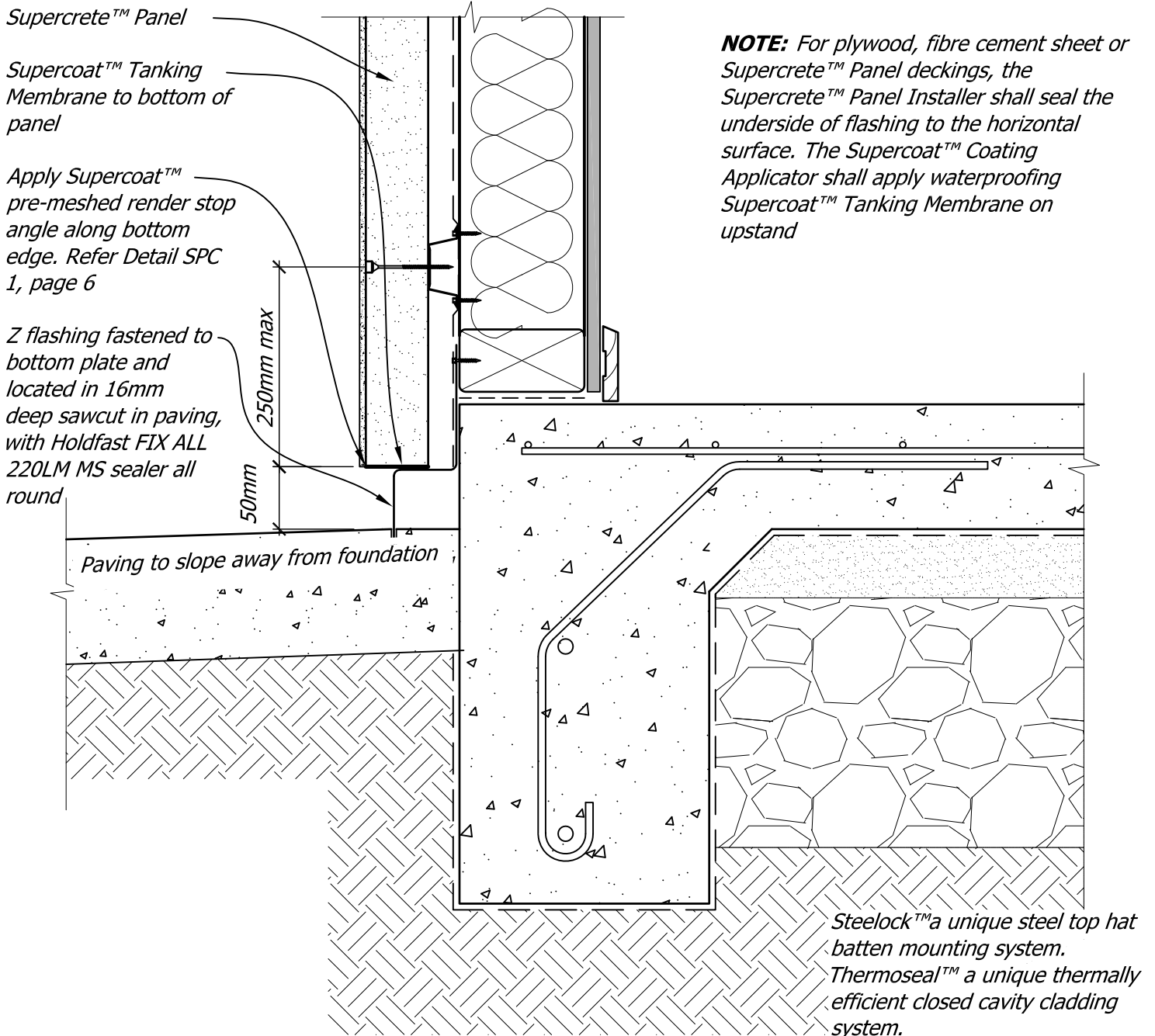


*Z flashing for concrete paving  
All steel 0.55 gauge or  
aluminium 1.5mm*



*W flashing for sheet decking  
All steel 0.55 gauge or  
aluminium 1.5mm*



*Typical detail for finishing panel above paving or solid decking*

**Copyright © Superbuild International Ltd 2013**

**Supercrete™**

Title:

Z or W Base Cavity Closures with Deck/Paving

**PANEL CLADDING  
CONSTRUCTION**

Date: February 2014

Detail No. **SPC 6-9**

This drawing must be read in conjunction with the Supercrete Panel Cladding System Design & Installation Guide