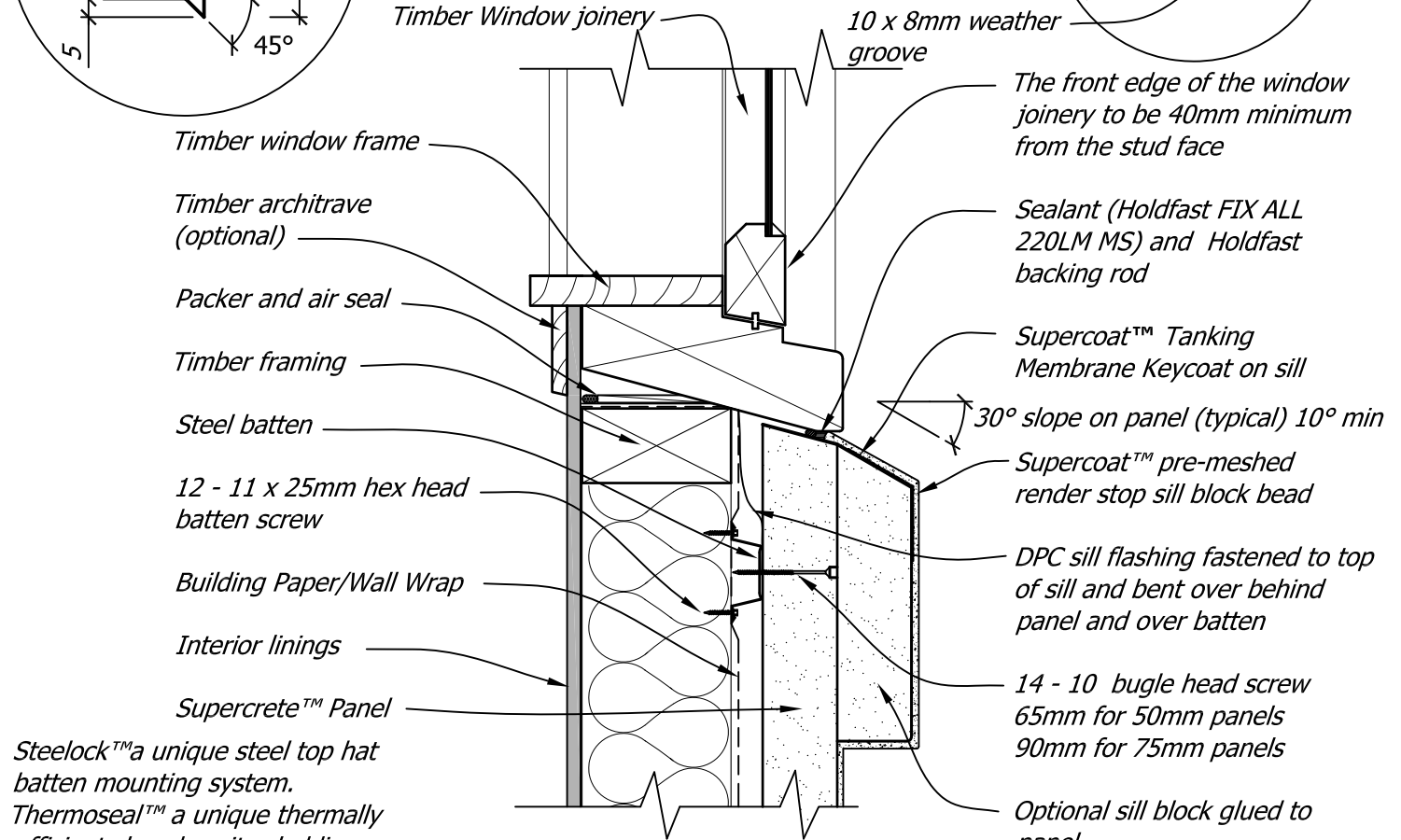


**Typical Timber Window Head Section**



**Typical Timber Window Sill Section**

Steelock™ a unique steel top hat batten mounting system.  
Thermoseal™ a unique thermally efficient closed cavity cladding system.

<b>Supercrete™</b>	Title: Vertical Section through Timber Window	
	Date: February 2014	Detail No. SPC 4-7
PANEL CLADDING CONSTRUCTION		
This drawing must be read in conjunction with the Supercrete Panel Cladding System Design & Installation Guide		