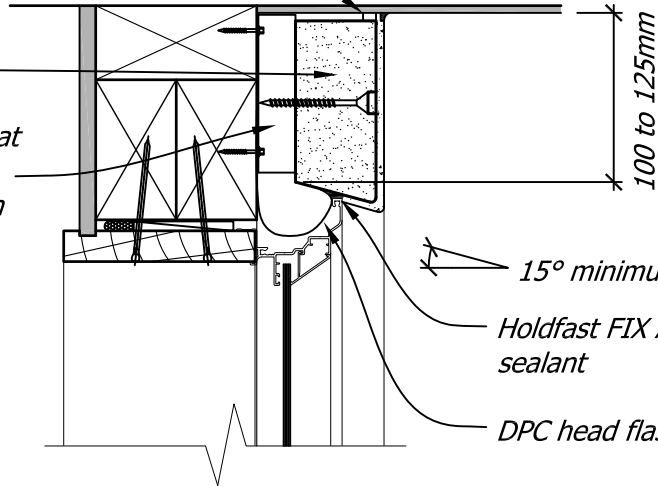


Pack to soffit with Supercoat™ AAC Superbond Adhesive

Supercrete™ Panel

Short vertical lengths of battens at 300mm maximum centres with single panel screw in each batten



15° minimum slope

Holdfast FIX ALL 220LM MS sealant

DPC head flashing

**NOTE:**

Panel heights of less than 125mm are not recommended, as they are prone to breakage. This detail is only for where the designer has been unable to avoid a small strip of panel being used. Mesh will be required in the Supercoat™ plaster system to help maintain the integrity

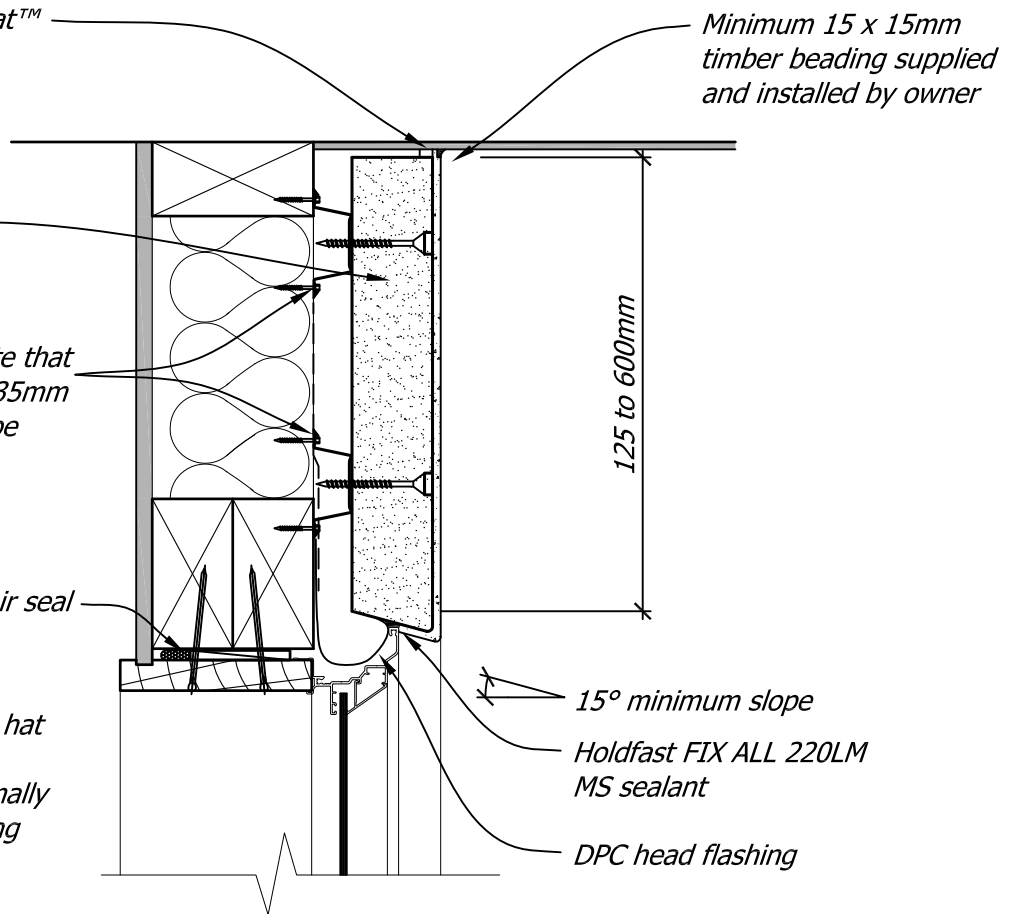
Pack to soffit with Supercoat™ AAC Superbond adhesive

Supercrete™ Panel

Two horizontal battens. Note that panel height of less than 135mm requires batten flanges to be overlapped

Packer and air seal

Steelock™ a unique steel top hat batten mounting system. Thermoseal™ a unique thermally efficient closed cavity cladding system.



Minimum 15 x 15mm timber beading supplied and installed by owner

125 to 600mm

15° minimum slope

Holdfast FIX ALL 220LM MS sealant

DPC head flashing

**NOTE:**

Use control joints on both sides of opening if panel height above opening is less than 300mm

Copyright © Superbuild International Ltd 2013

**Supercrete™**

Title:

Fastening of Narrow Height Panels above Openings

**PANEL CLADDING  
CONSTRUCTION**

Date: February 2014

Detail No. SPC 4-10

This drawing must be read in conjunction with the Supercrete Panel Cladding System Design & Installation Guide