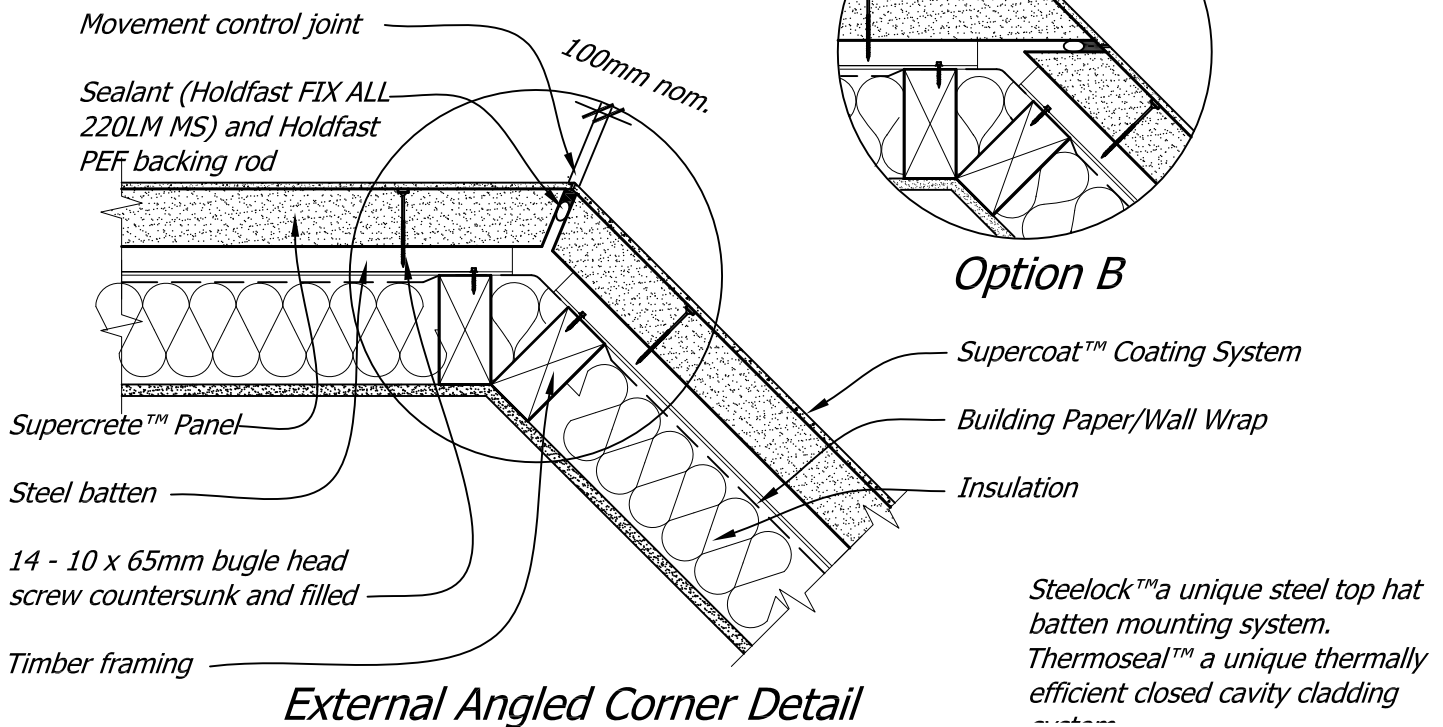


**External Corner Detail  
(at garage door jamb)**



**External Angled Corner Detail**

Copyright © Superbuild International Ltd 2013

**Supercrete™**

**PANEL CLADDING  
CONSTRUCTION**

Title:

External Corner Control Joint Details

Date: February 2014

Detail No. SPC 3-4

This drawing must be read in conjunction with the Supercrete Panel Cladding System Design & Installation Guide