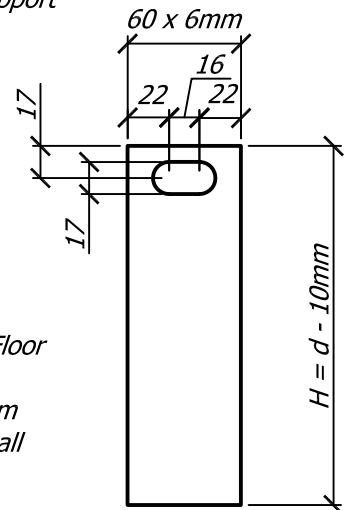


Cleats for Joining Panels on Steel Beams



NOTE

1. All dimensions are in mm
 d = Supercrete™ Structural Floor Panel depth
2. Weld to steel support with 6mm CFWAR (continuous fillet weld all round)

Ring Anchor Steel Cleat Detail

Copyright © Superbuild International Ltd 2013

Supercrete™

SFP CONSTRUCTION

Title:

**Structural Floor Panels
 Cleat Connections to Steel Beams**

Date: October 2013

Scale: N.T.S.

Detail No. SFP 2-9

This drawing must be read in conjunction with all the Supercrete Structural Floor Panels Design Guide